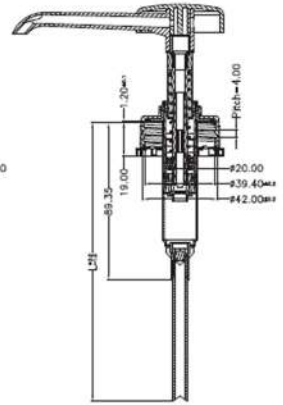
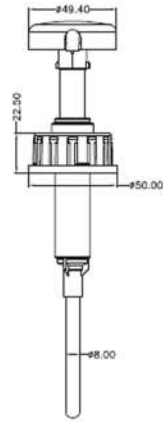
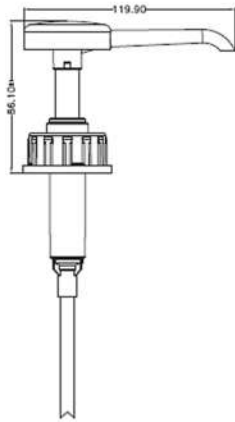
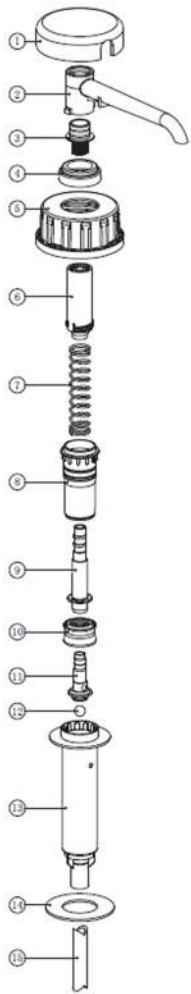


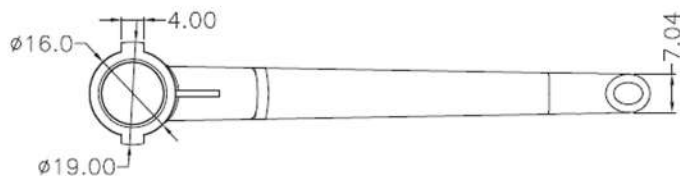
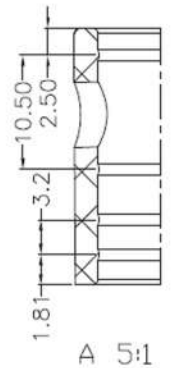
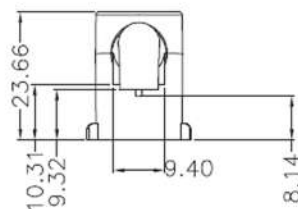
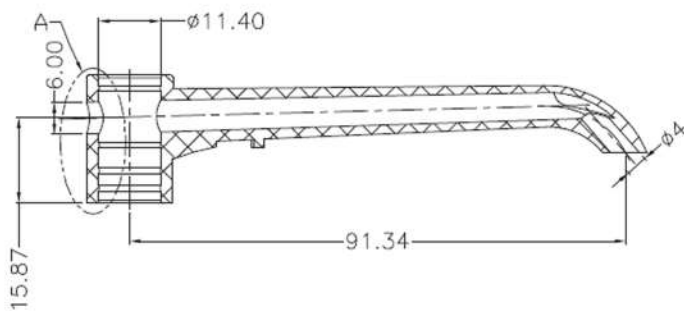
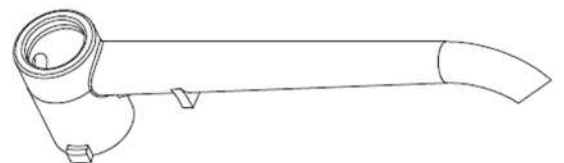
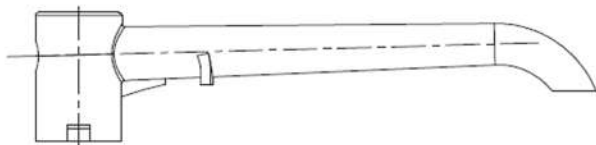
# FICHE TECHNIQUE

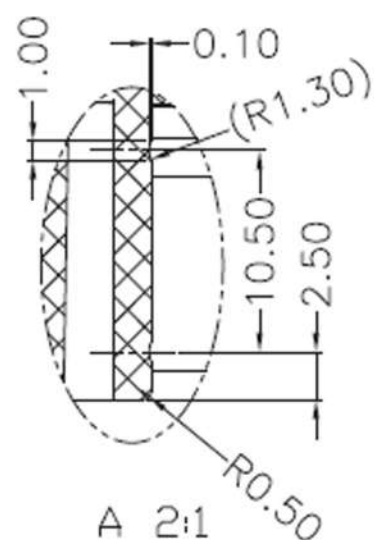
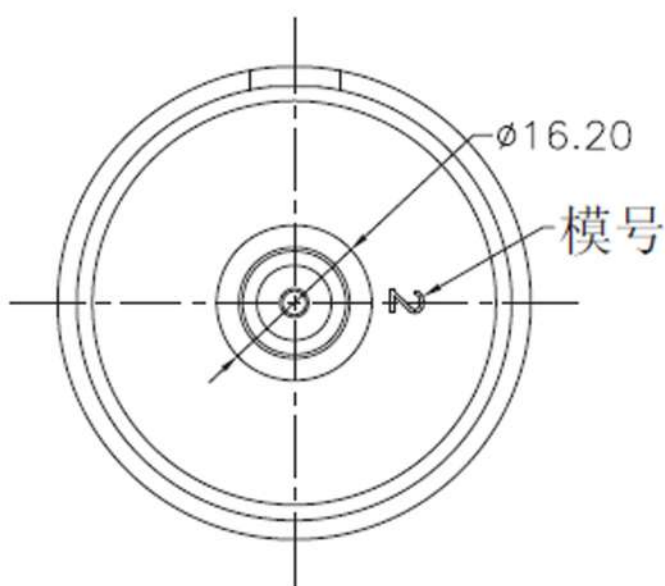
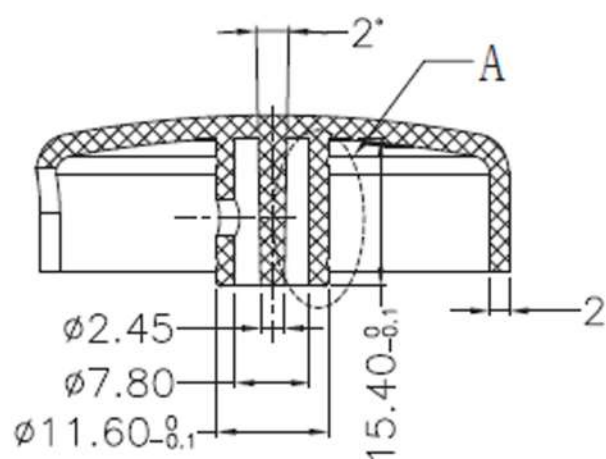
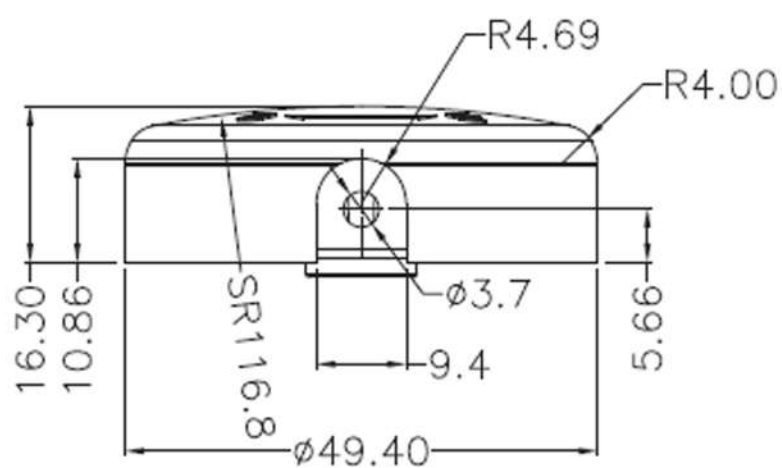
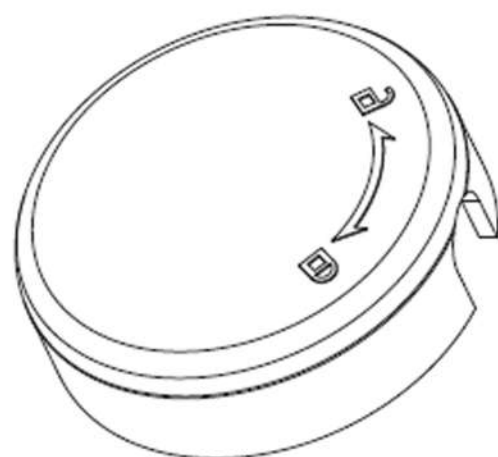
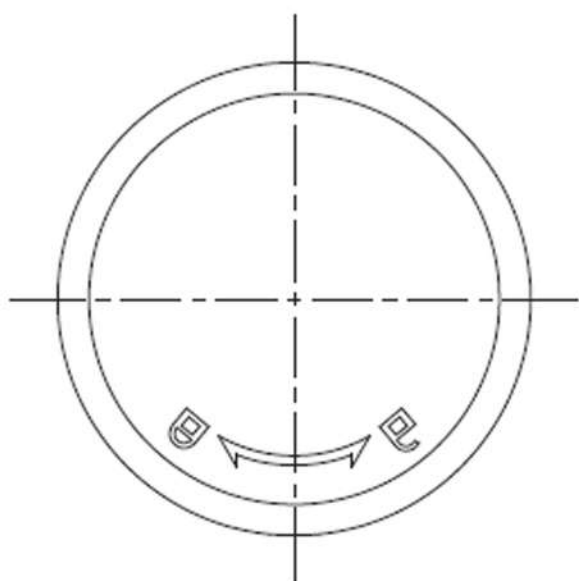
## Pompe doseuse pour bidon

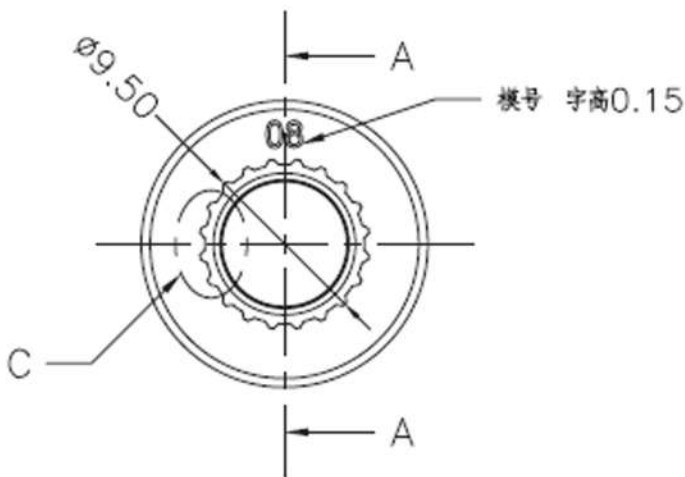
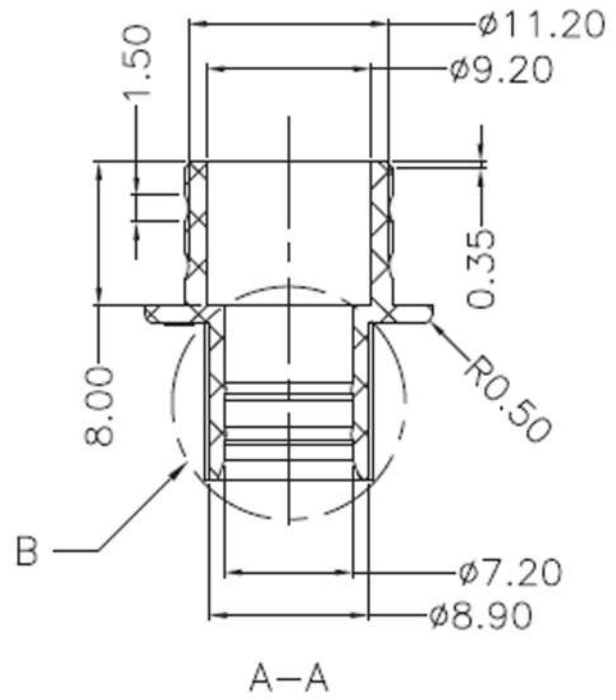
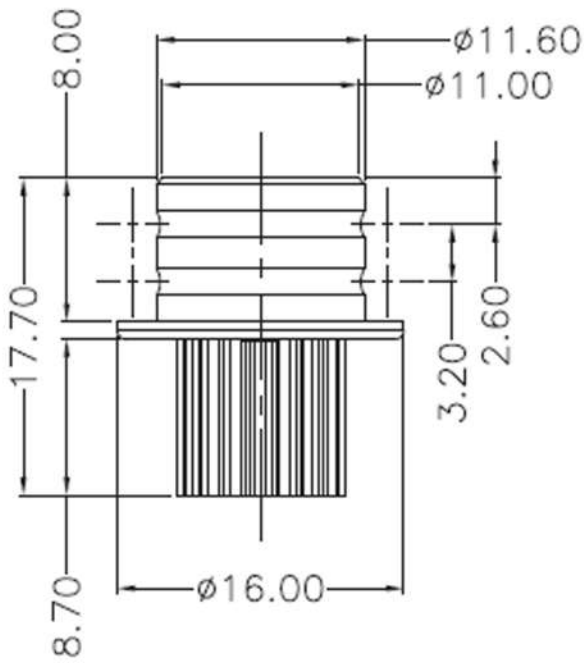
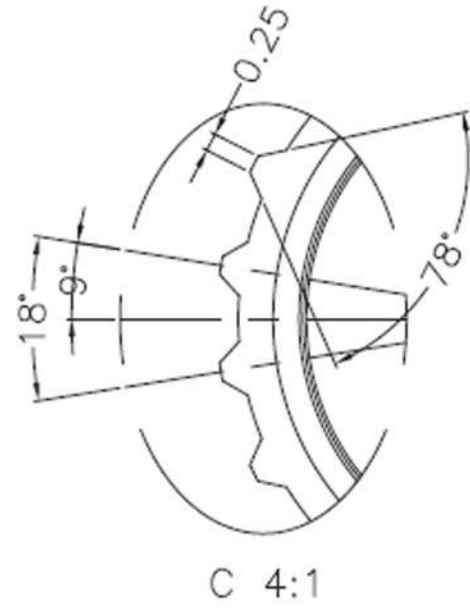
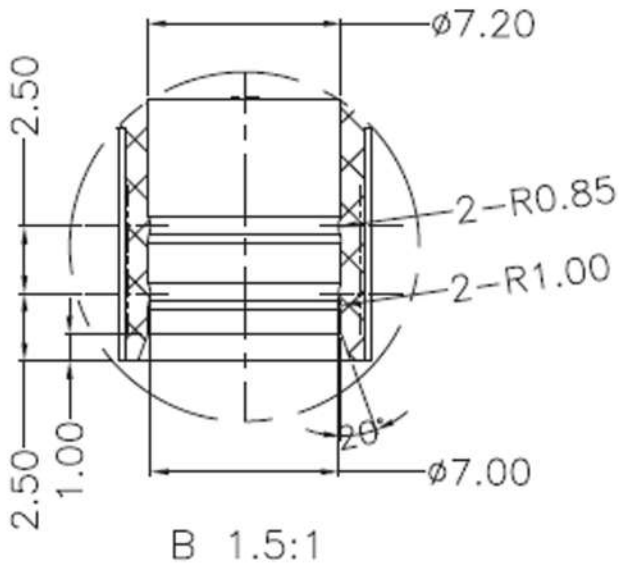
### Réf : 6170

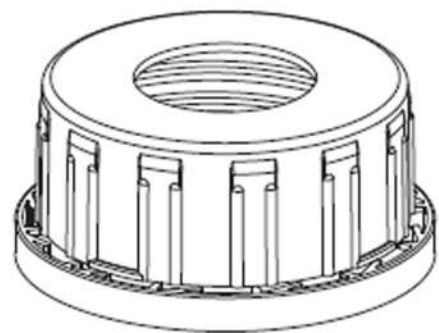
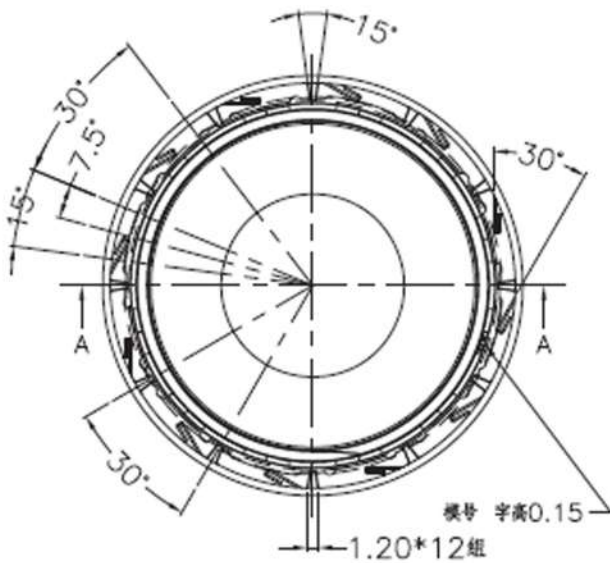
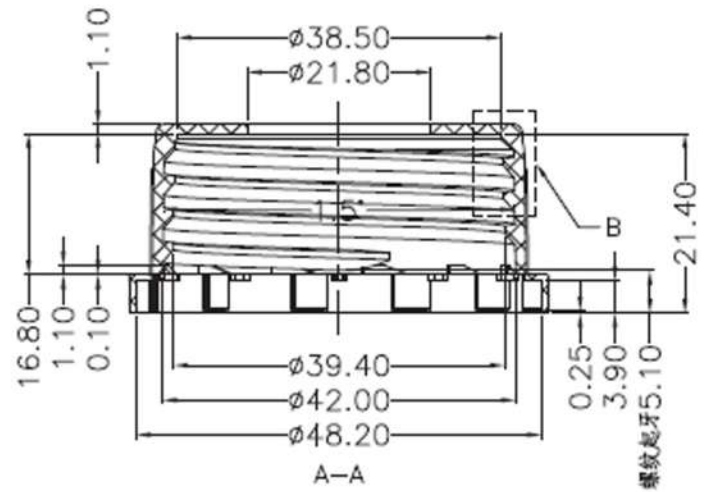
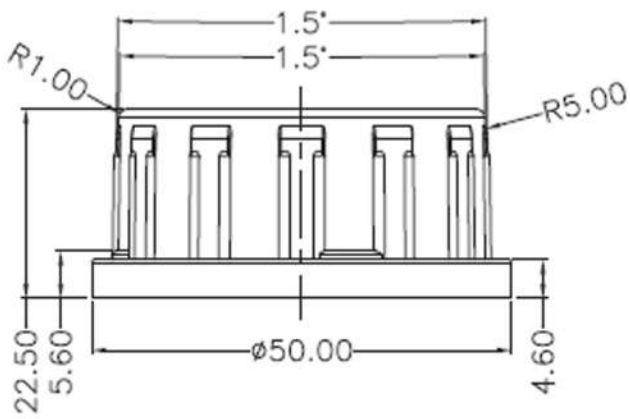
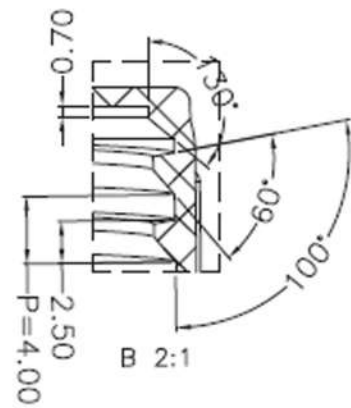
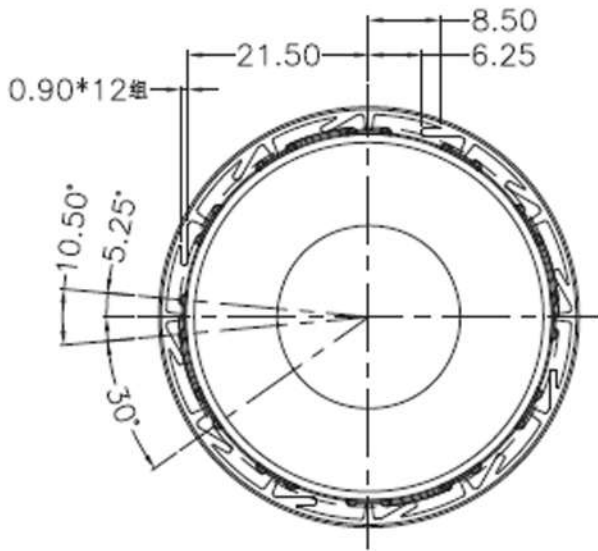


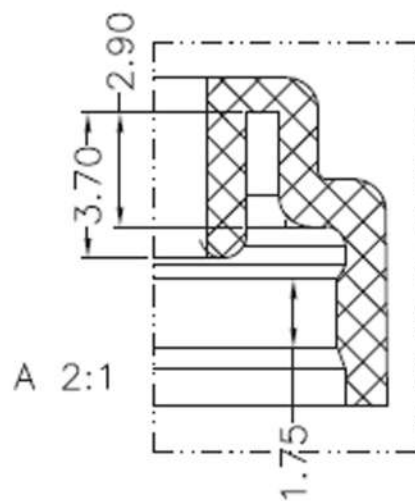
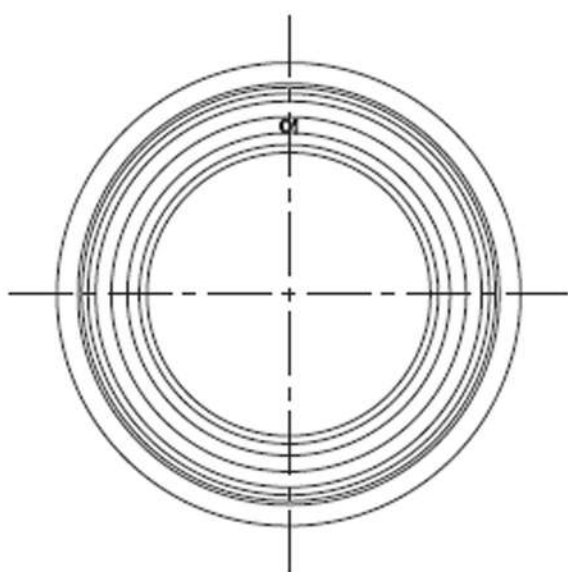
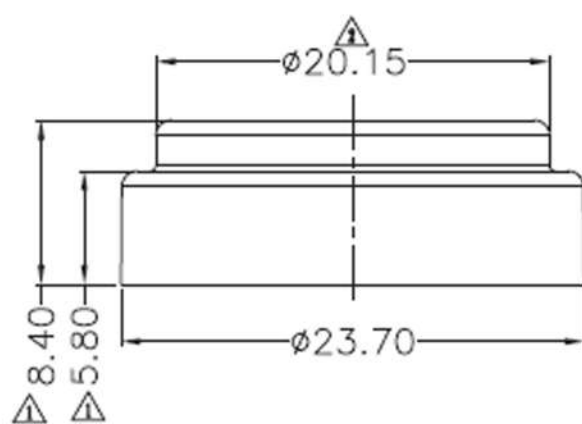
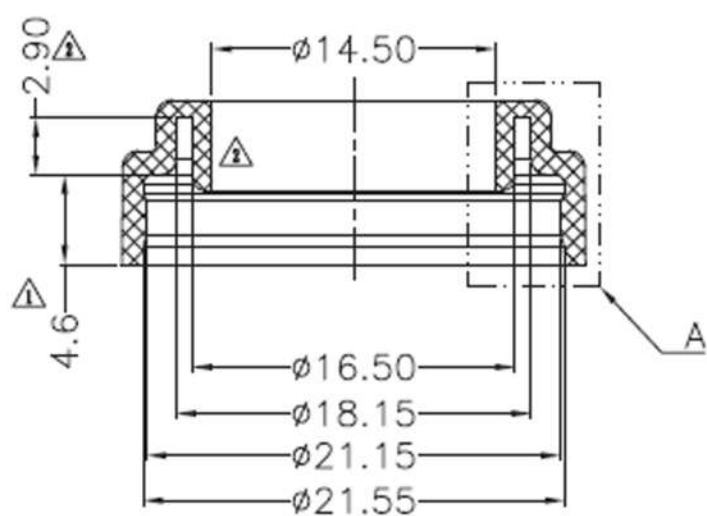
REMARKS:  
 Output:  $5.0 \pm 0.5$  ML  
 STROKE:  $20.6 \pm 1.0$  MM



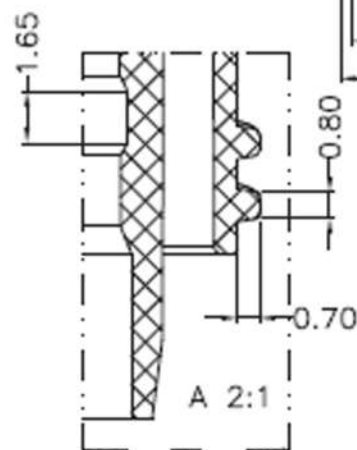
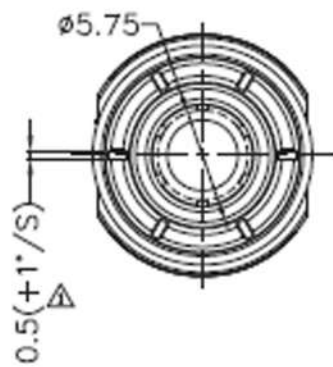
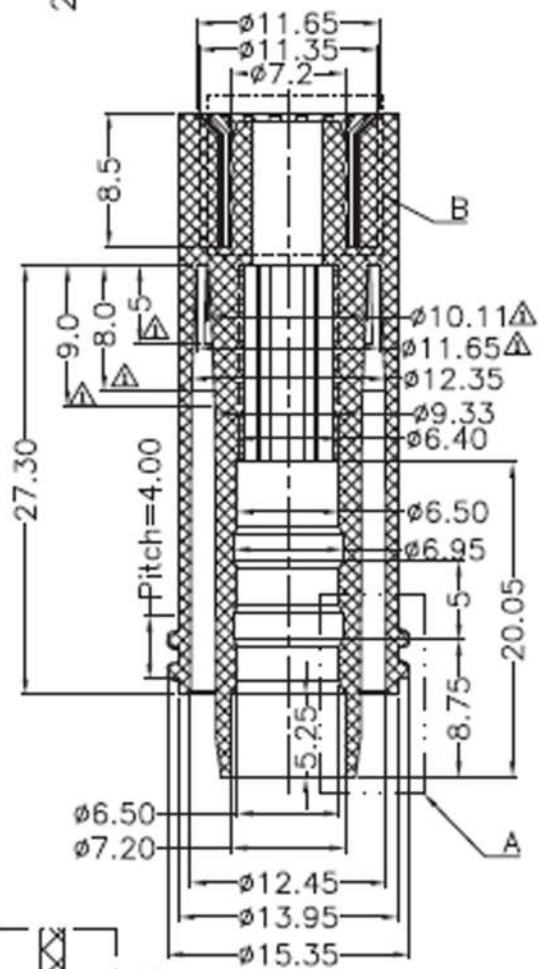
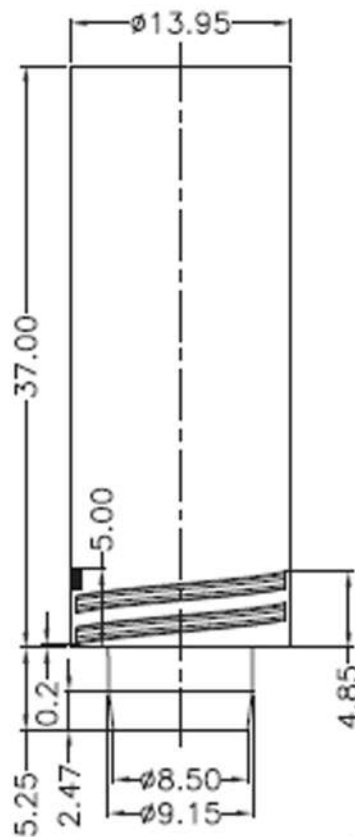
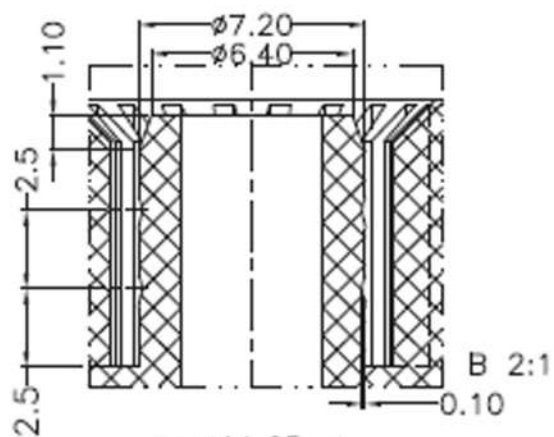
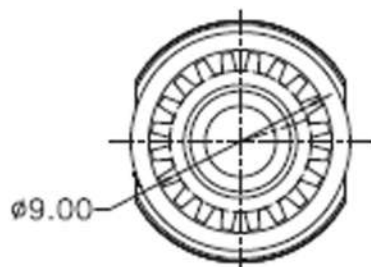
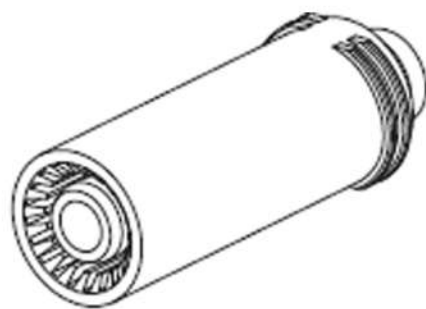


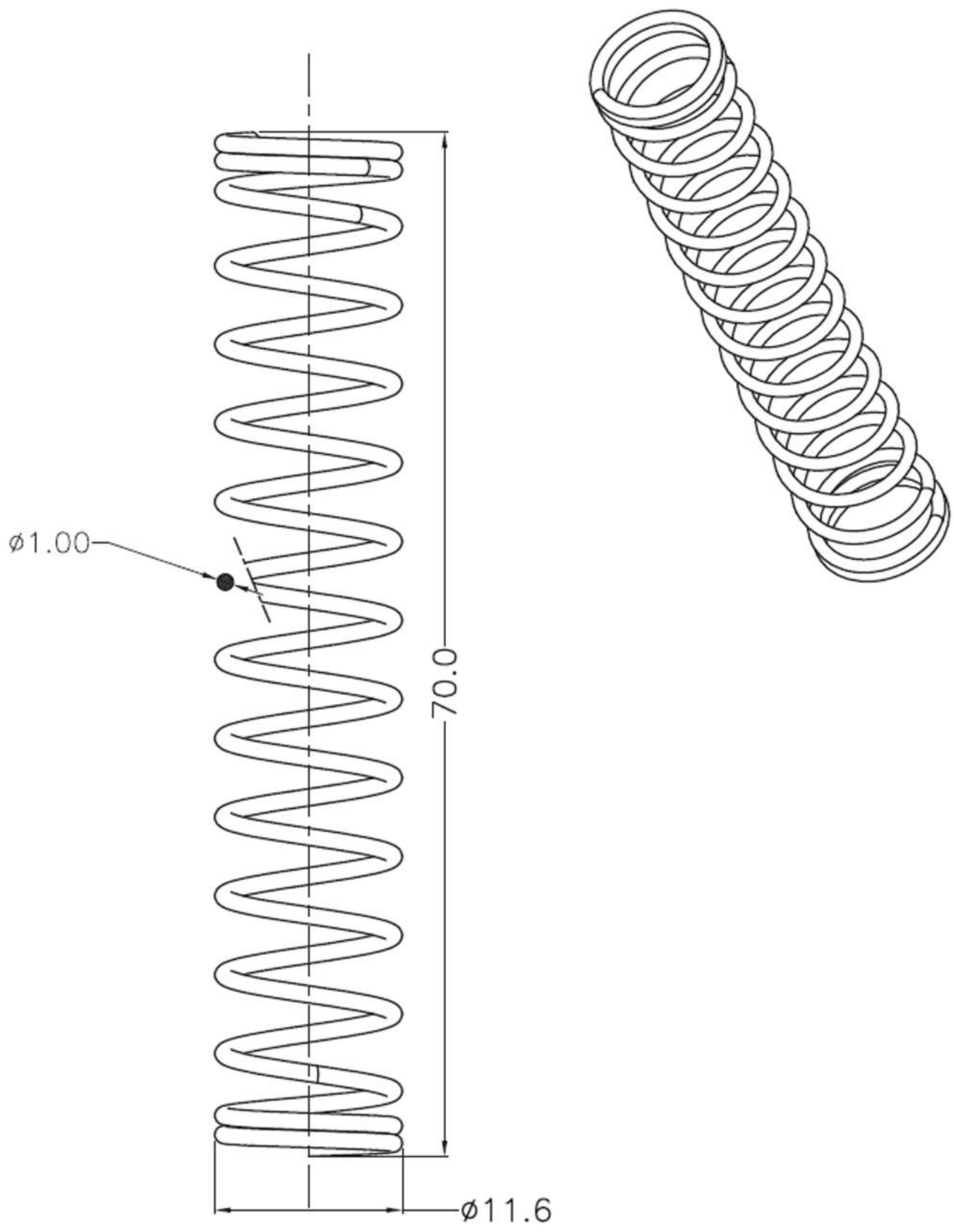


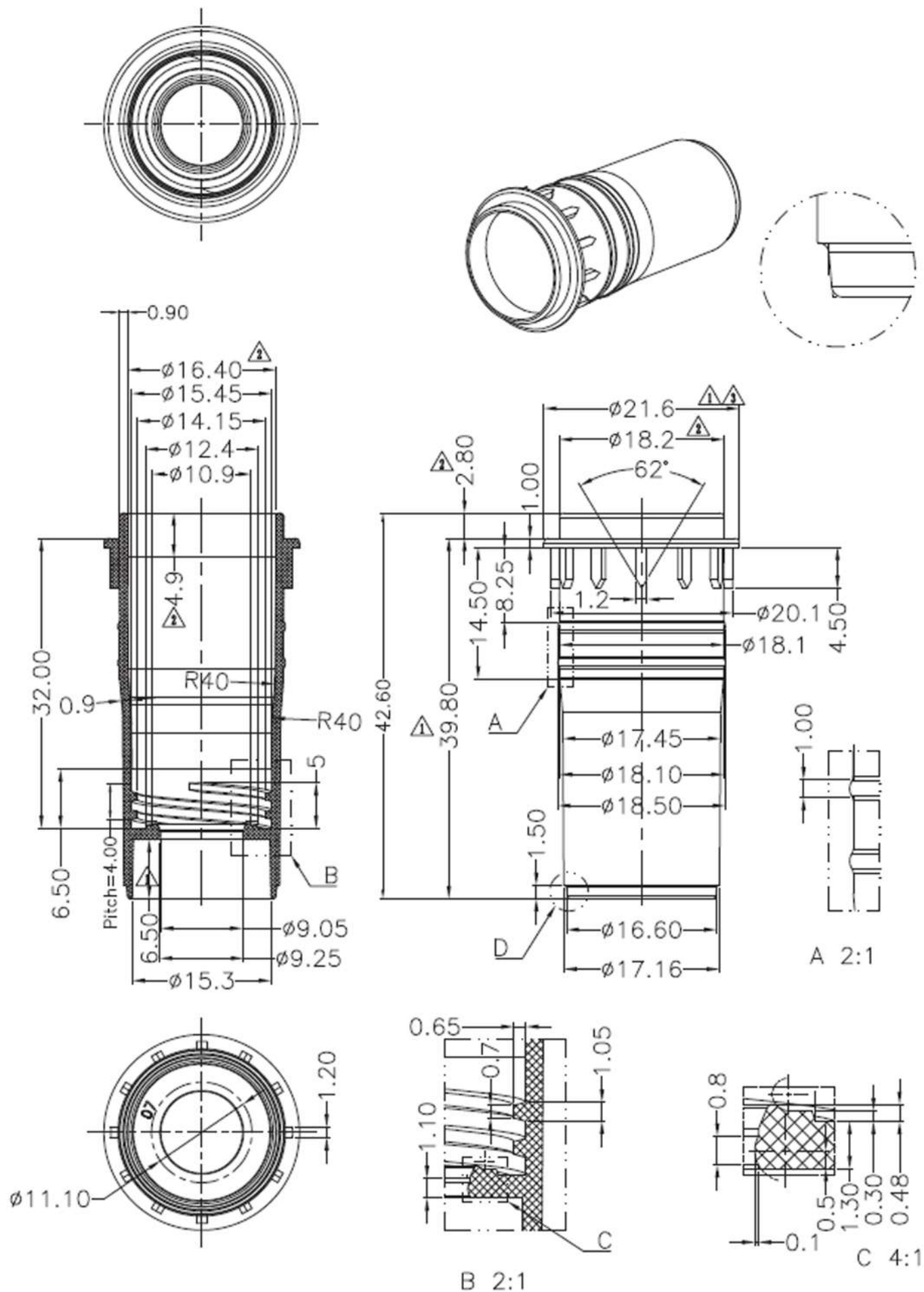




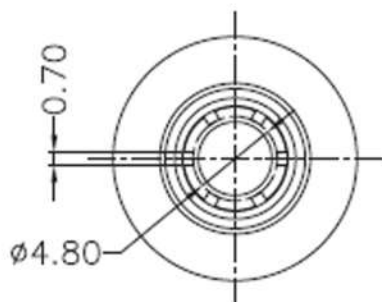
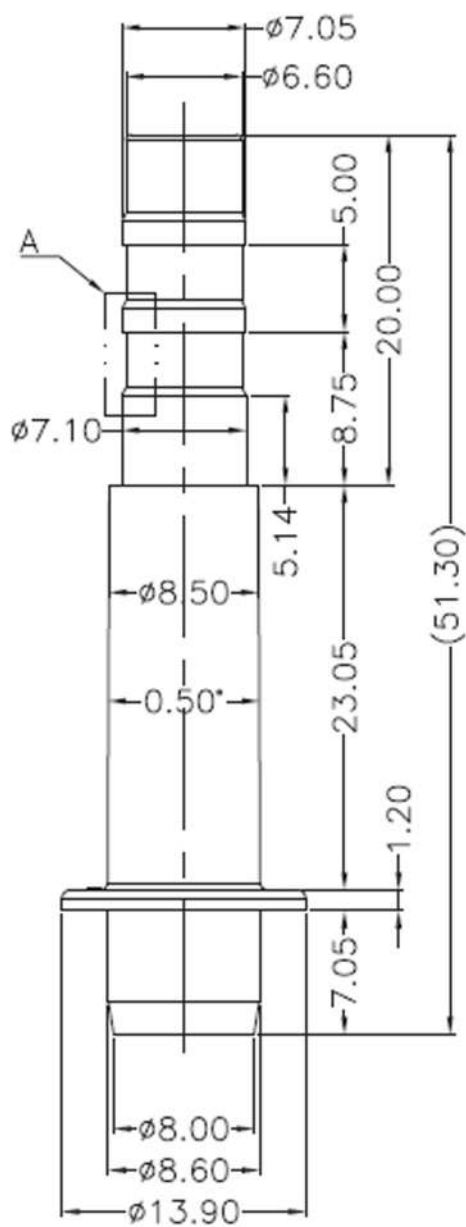
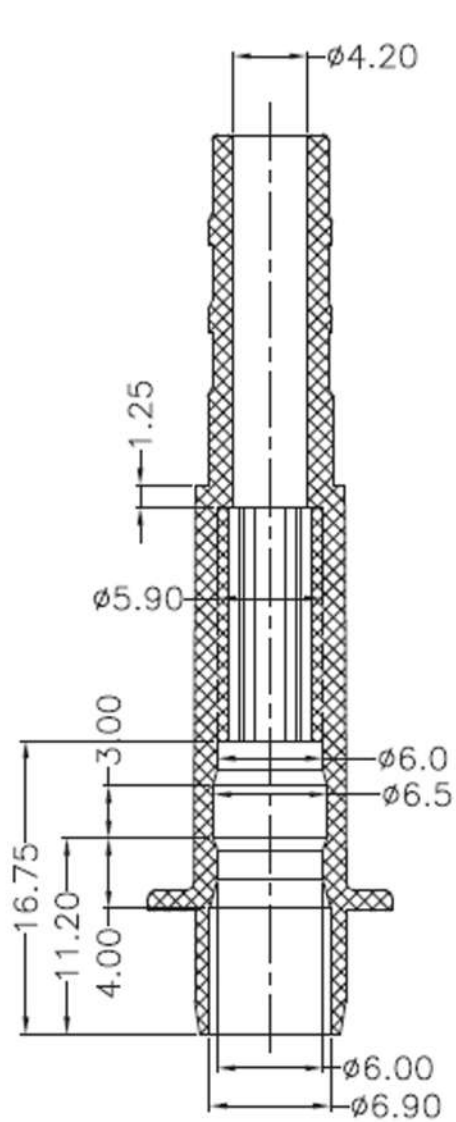
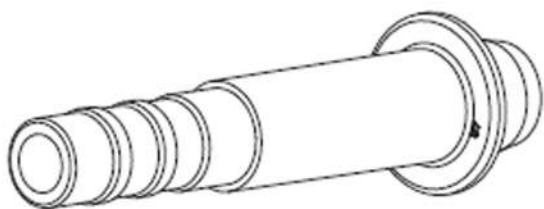


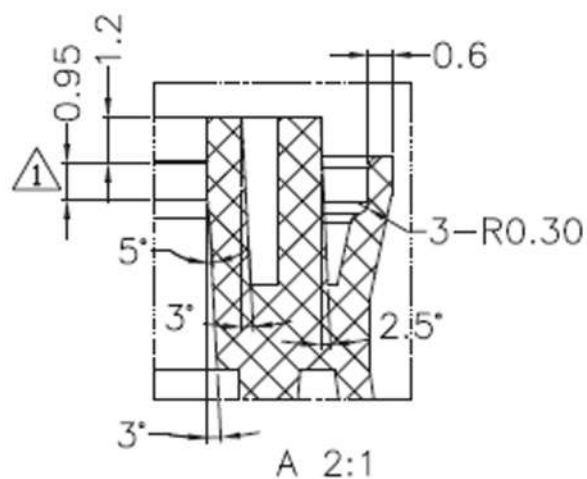
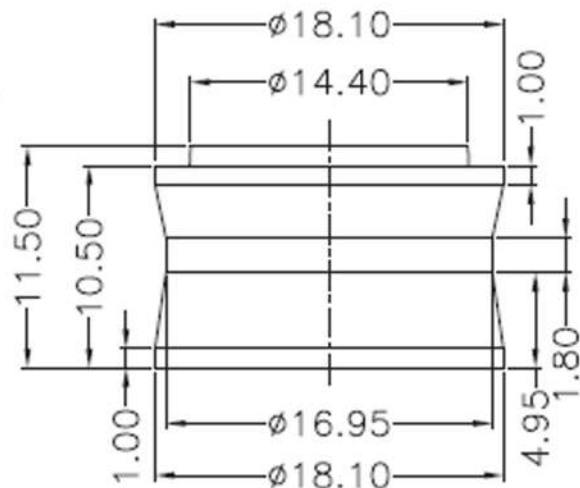
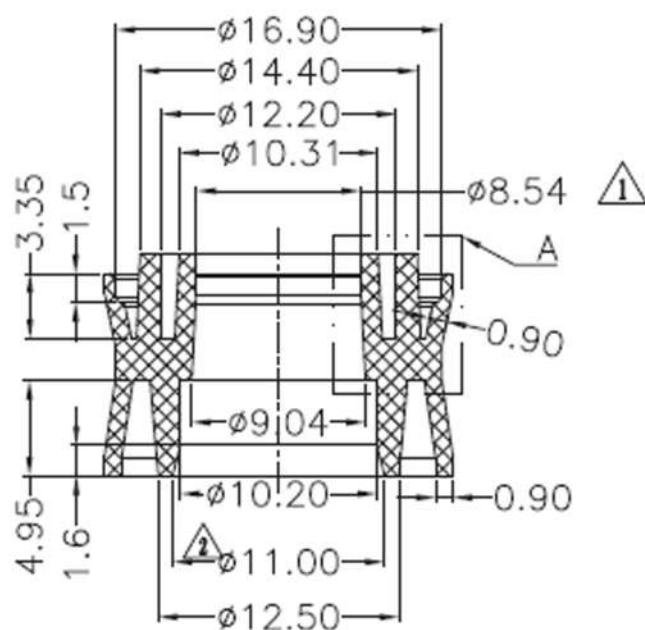
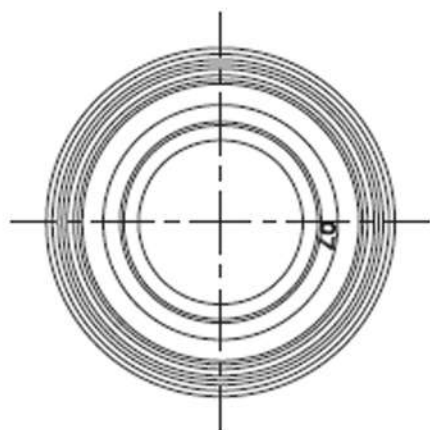


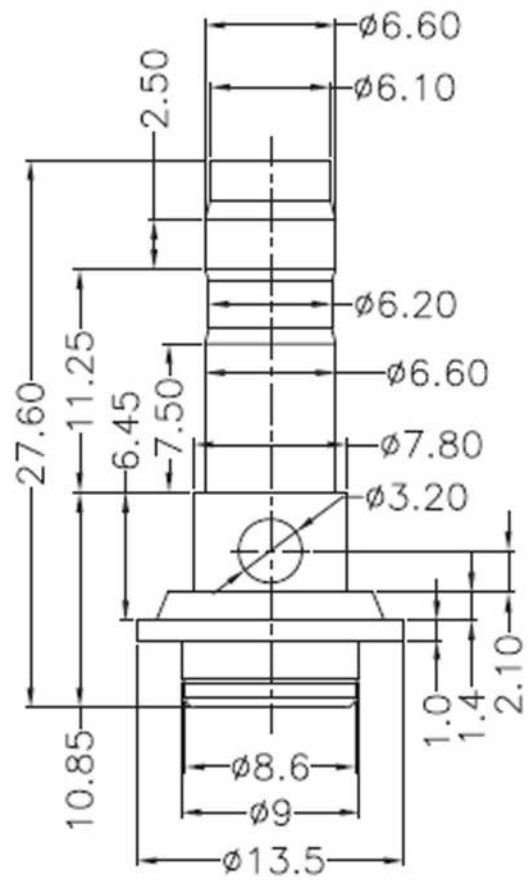
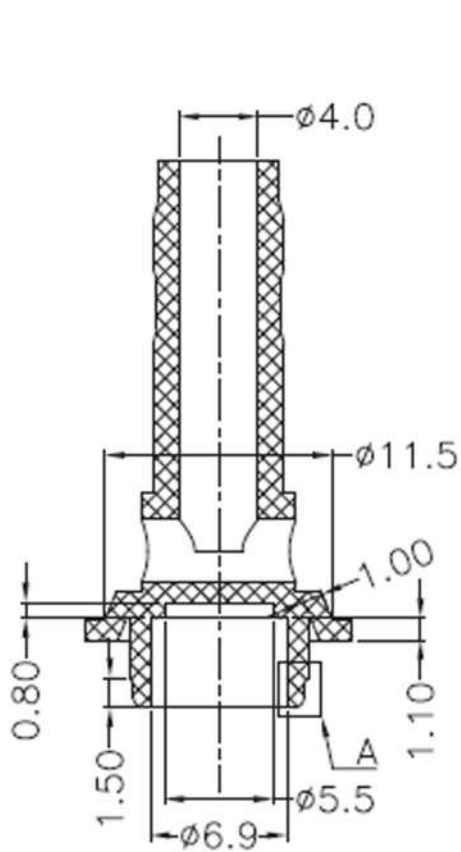




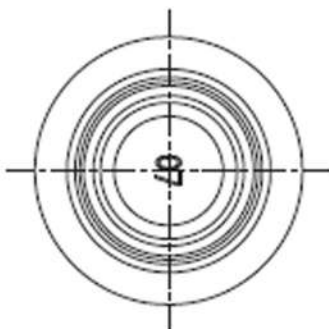


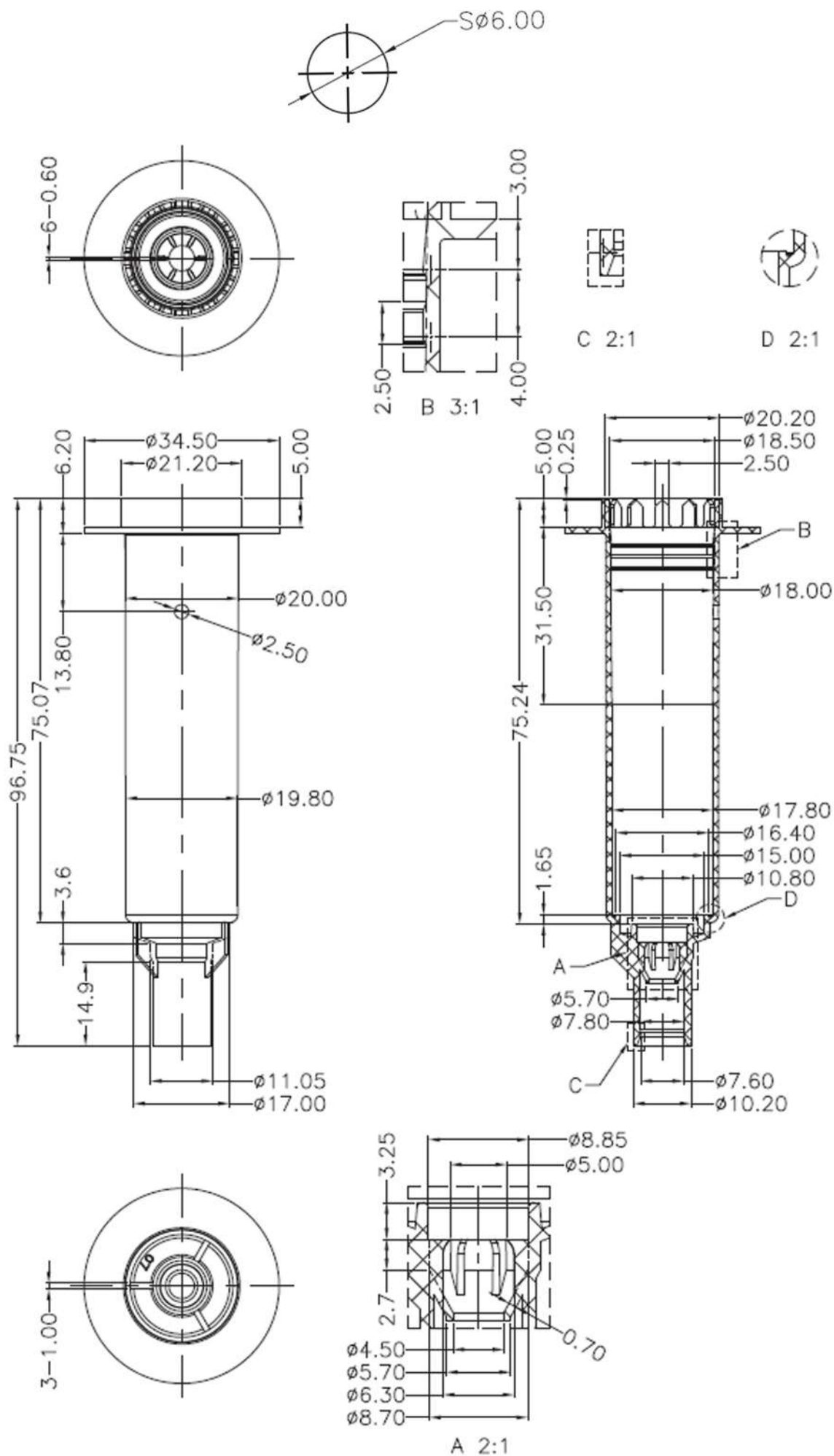


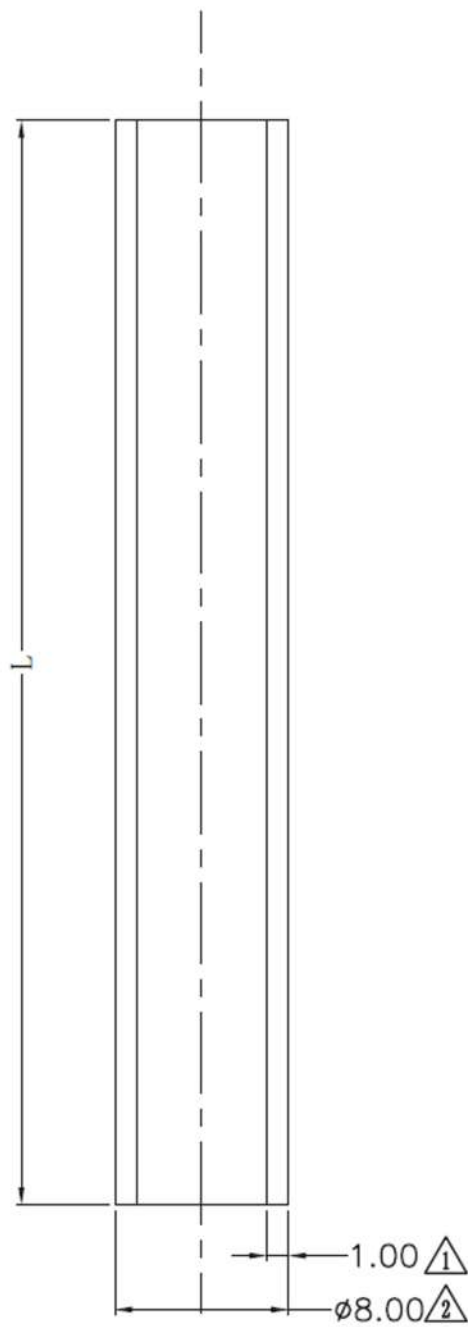
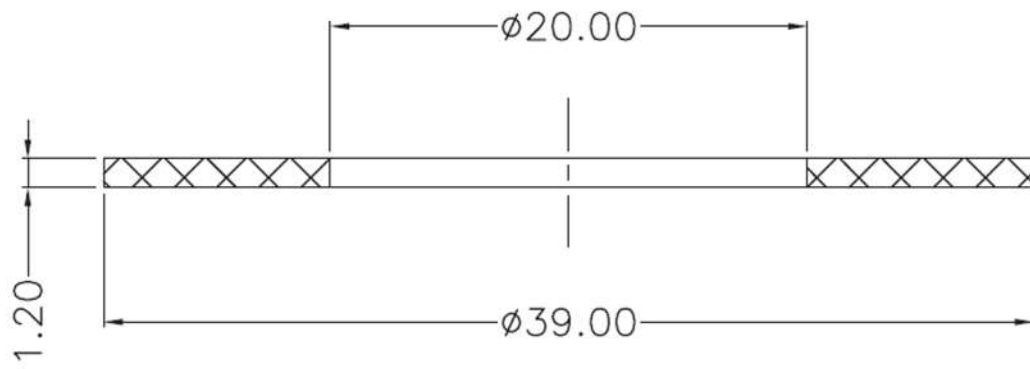




A 2:1









1 samples: production on the 2015-03-11

2 we tested our samples and they have been declared CONFORM for the following reasons:

N0	Method	TESTS	Quantit y to test	CRITERIA	OUT OF THE NORM	Measured values
1	QAC-MC-082	Dip tube holding force	20	9.8N minimum	NONE	MINI: 16.5N MAXI:35.0N AVERAGE:22.72N
2	QAC-MC-069(spray) or QAC-MC-073(distribution)	Priming (number of strokes to prime)	50	10 strokes maximum	NONE	3 to 4 times
3	48 h rest after priming, bottles standing up at room temperature	No un-priming	50	Whole or part of the dose is expelled at the first stroke	NONE	All pumps primed when pressed at the first stroke
4	QAC-MC-068 (average of 10 doses for spray et dispensers)	Regularity of dosage (output).	50	All results at $5.5 \pm 0.5$ ML max from average value	NONE	MINI:5.501ML MAXI:5.889ML AVERAGE:5.698ML (Test liquid: Warter)
5	QAC-MC-070 NB: <i>In some instances, if the leak test is not passed, a restricted approval can be granted for non transportable products (Which limits dramatically the usage possibilities)</i>	Vacuum leak test for pumps $>$ or $=$ 0.5ml, standard protocol.	50	1. No leak when not primed at 800mbar x 1mn . 2. No leak when not primed at 200mbar x1mn .	NONE	1. No leak 2. No leak (Test liquid: Warter)
6	QAC-MC-067 measured at approximately 70% of total stroke ;	Functioning force.	8	All results at $\pm$ 20% from average value.	NONE	MINI:24.0 N MAXI: 30.0N AVERAGE:27.37N
7	Speed 317mm/min. same course as above ; Spray : alcohol dispenser $<$ 0.5ml : with a cream dispenser $>$ 0.5ml : with a shampoo	Functioning force when filled with alcohol.	8	Under 25Newton : always OK. Up to 40Newton : depending upon ergonomy of actuation.	NONE	MINI:33.5 N MAXI: 38.5N AVERAGE:36.37N (Test liquid:Warter)
8	QAC-MC-085	Test for rusting of springs and balls	20	As per method.	NONE	No spring rust

## 3: results of our tests :

NO	TEST ITEMS	TEST METHOD	TEST RESULTS
1	Dip tube holding force (N)	Force meter measure the dip tube holding force	22.5 25.5 30.0 17.0 28.0 24.0 19.5 27.0 31.0 17.0 17.0 24.0 35.0 16.5 17.5 19.5 20.5 22.0 22.0 23.0 MINI:16.5N      MAXI:35.0N      AVERAGE:22.72N
2	Priming	Press acuator until it prime	3 to 4 times
3	No un-priming	48 h rest after priming, then press acuator until it prime	All pumps primed when press at the first stroke
4	Output (ml)	Try to press actuator until it prime, and press 10 times, balance the overall output on the lectronic scale, then working-out the output	5.784 5.773 5.750 5.724 5.501 5.720 5.811 5.716 5.752 5.774 5.850 5.740 5.640 5.547 5.675 5.752 5.534 5.840 5.870 5.869 5.701 5.752 5.530 5.889 5.820 5.755 5.527 5.584 5.657 5.554 5.802 5.757 5.679 5.655 5.577 5.799 5.564 5.661 5.552 5.667 5.720 5.780 5.832 5.570 5.589 5.605 5.577 5.811 5.655 5.669 MINI:5.501ML      MAXI:5.889ML      AVERAGE:5.698ML
5	Vacuum leak test for pumps	1. No leak when not primed at 800mbar x 1mn . 2. No leak when not primed at 200mbar x1mn .	No pumps leak
6	Functioning force (N)	press force meter approximately 70 % of total stroke of acuator, then read the munber of force Meter (5mm)	28.5N 29.0N 25.0N 24.0N 30.0N 27.5N 25.0N 30.0N 30.0N      AVERAGE:27.37N      MINI: 24.0N      MAXI:
7	Functioning force when filled with alcohol (N)	press force meter with speed 317mm/min of total stroke of acuator, then read the munber of force Meter	37.0N 38.0N 37.5N 33.0N 34.5N 36.0N 38.5N 36.5N 38.5N      AVERAGE:36.37N      MINI: 33.5N      MAXI:
8	Test for rusting of springs	keep 20pcs springs into 200g/l' brine, and put them into oven with 55°C for 24h	No spring rust